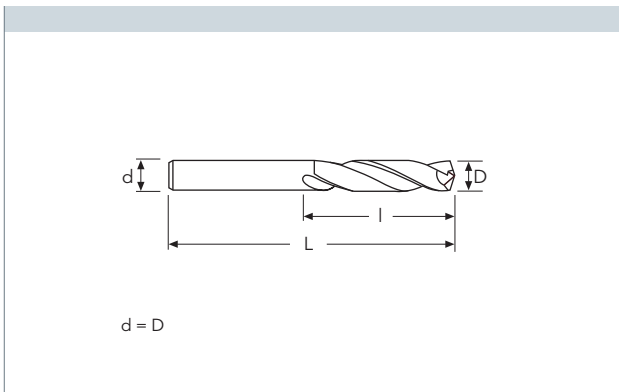


	DIN 338
PAGE 250~252	

138N - 1386STI - 138NTI - 138HB - 138WB (h8)

Ø mm	1~3	3.1~6	6.1~10	10.1~18	18.1~20
tol. D μ	0 / -14	0 / -18	0 / -22	0 / -27	0 / -33



HSS OX	HSS TiN	HSS TiN	HSS BR	HSS BR

D(h8)	l	L		Stock	Stock	Stock	Stock	Stock
mm 3.25	36	65	10	●	●	●	●	●
3.30	36	65	10	●	●	●	●	●
3.40	39	70	10	●	●	●	○	○
3.50	39	70	10	●	●	●	●	●
3.60	39	70	10	●	●	●	○	●
3.70	39	70	10	●	●	●	○	●
3.75	39	70	10	●	●	●	●	●
3.80	43	75	10	●	●	●	●	●
3.90	43	75	10	●	●	●	○	●
4.00	43	75	10	●	●	●	●	●
4.10	43	75	10	●	●	●	○	●
4.20	43	75	10	●	●	●	●	●
4.25	43	75	10	●	●	●	●	●
4.30	47	80	10	●	●	●	○	○
4.40	47	80	10	●	●	●	○	○
4.50	47	80	10	●	●	●	●	●
4.60	47	80	10	●	●	●	○	●
4.70	47	80	10	●	●	●	○	○
4.75	47	80	10	●	●	●	●	●
4.80	52	86	10	●	●	●	●	●
4.90	52	86	10	●	●	●	○	○
5.00	52	86	10	●	●	●	●	●
5.10	52	86	10	●	●	●	○	○
5.20	52	86	10	●	●	●	○	●
5.25	52	86	10	●	●	●	○	●
5.30	52	86	10	●	●	●	○	○
5.40	57	93	10	●	●	●	○	○
5.50	57	93	10	●	●	●	●	●
5.60	57	93	10	●	●	●	○	●
5.70	57	93	10	●	●	●	○	○
5.75	57	93	10	●	●	●	○	○
5.80	57	93	10	●	●	●	○	○
5.90	57	93	10	●	●	●	○	○
6.00	57	93	10	●	●	●	●	●
6.10	63	101	10	●	●	●	○	○
6.20	63	101	10	●	●	●	○	○

● stock standard ○ non-standard stock ■ stock exhaustion