

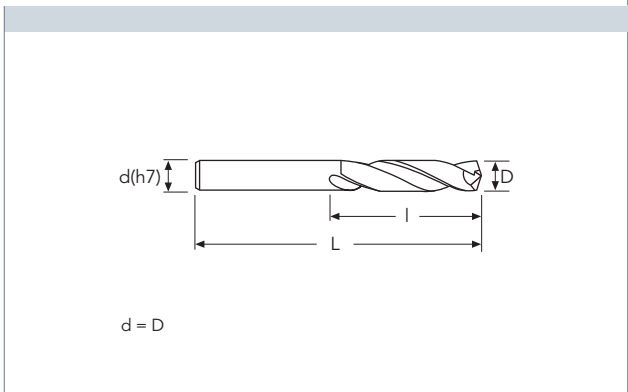


238LFTA



238LFTA (h8)

Ø mm	1~3	3.1~6	6.1~10	10.1~18	18.1~20
tol. D μ	0 / -14	0 / -18	0 / -22	0 / -27	0 / -33



D(h8)	I	L	Stock
mm 17.50	130	191	●
18.00	130	191	●
18.50	135	198	●
19.00	135	198	●
19.50	140	205	●
20.00	140	205	●

● stock standard ○ non-standard stock ■ stock exhaustion

- TYPHOON
- C-SD-TA
- LFTA**
- SUTA
- HSS-HSS/CO DRILLS
- UH RED
- MEX ORANGE
- HF EVO
- MEF ENDLESS
- ALU
- MDC
- G2
- MDTA
- ULTRA MILLS
- HSS/CO
- CARBIDE BURRS
- PARAMETERS