

NEW

PAGE 246-247

DIN 6537L

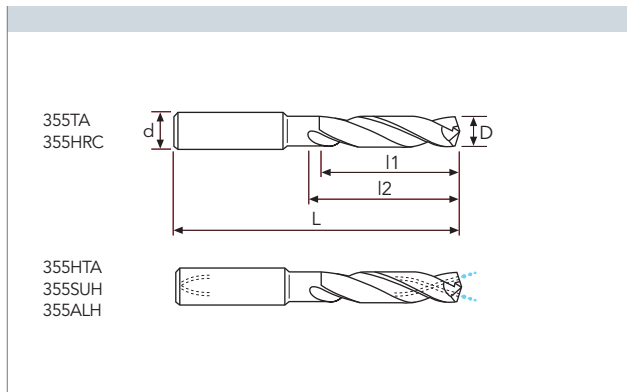
5XD

355TA - 355HTA - 355SUH - 355ALH - 355HRC (m7)

Ø mm	1~3	3.1~6	6.1~10	10.1~18	18.1~20
tol. D µ	+12 / +2	+16 / +4	+21 / +6	+25 / +7	+29 / +8

385UH (h7)

Ø mm	1~3	3.1~6	6.1~10	10.1~18	18.1~20
tol. D µ	0 / -10	0 / -12	0 / -15	0 / -18	0 / -21



MG	MG	MG	MG	MG
PV200	PV200	PV300	LAPPED	PV1000

D	d(h6)	l1	l2	L	Stock	Stock	Stock	Stock	Stock
mm 14.00	14	77	77	124	●	●	●	○	
14.20	16	83	83	133		●	●		○
14.50	16	83	83	133	●	●	●	○	
14.60	16	83	83	133		●			
15.00	16	83	83	133	●	●	●	○	
15.30	16	83	83	133	○	●	●	○	
15.50	16	83	83	133	●	●	●	○	
15.80	16	83	83	133	○	●	●	○	
16.00	16	83	83	133	●	●	●	○	
16.50	18	93	93	143	○	●	●	○	
17.00	18	93	93	143	○	●	●	○	
17.50	18	93	93	143	○	●	●	○	
18.00	18	93	93	143	○	●	●	○	
18.50	20	101	101	153	○	●	●	○	
19.00	20	101	101	153	○	●	●	○	
19.50	20	101	101	153	○	○	●	○	
20.00	20	101	101	153	○	●	●	○	

● stock standard ○ non-standard stock ■ stock exhaustion