

NEW

PAGE 246-247

DIN 6537L

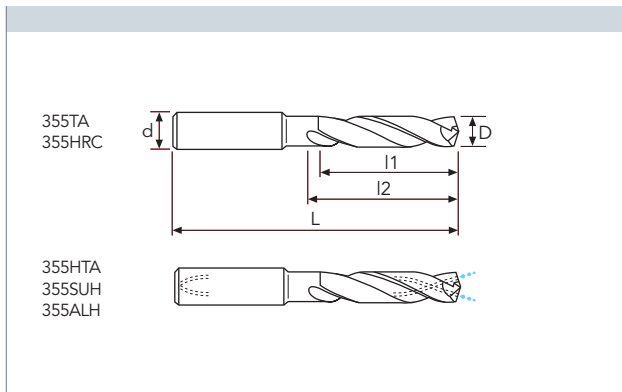
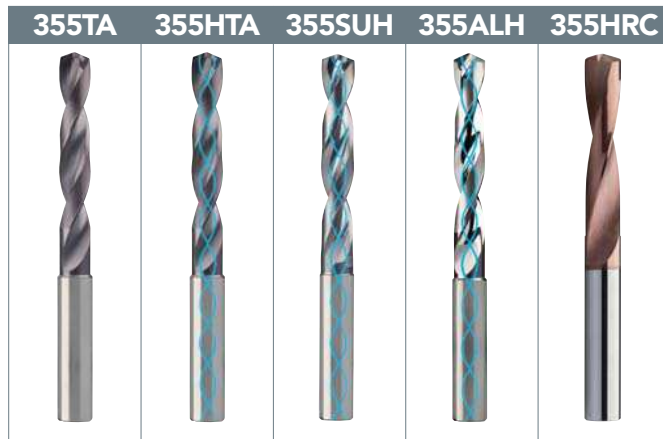
5XD

355TA - 355HTA - 355SUH - 355ALH - 355HRC (m7)

Ø mm	1~3	3.1~6	6.1~10	10.1~18	18.1~20
tol. D µ	+12 / +2	+16 / +4	+21 / +6	+25 / +7	+29 / +8

385UH (h7)

Ø mm	1~3	3.1~6	6.1~10	10.1~18	18.1~20
tol. D µ	0 / -10	0 / -12	0 / -15	0 / -18	0 / -21



MG	MG	MG	MG	MG
PV200	PV200	PV300	LAPPED	PV1000

D	d(h6)	l1	l2	L	Stock	Stock	Stock	Stock	Stock	
mm 9.45	NEW	10	49	61	103	●	●	●	●	○
9.50		10	61	61	103	●	●	●	○	○
9.60		10	61	61	103	●	●	●	○	○
9.70		10	61	61	103	●	●	●	○	○
9.80		10	61	61	103	●	●	●	○	○
9.90		10	61	61	103	●	●	●	○	○
10.00		10	61	61	103	●	●	●	●	○
10.10		12	71	71	118	●	●	●	●	○
10.20		12	71	71	118	●	●	●	●	○
10.30		12	71	71	118	●	●	●	●	○
10.40		12	71	71	118	○	●	●	●	○
10.50		12	71	71	118	●	●	●	●	○
10.60		12	71	71	118	●	●	●	●	○
10.70		12	71	71	118	●	●	●	●	○
10.80		12	71	71	118	●	●	●	○	○
10.90		12	71	71	118	○	○	●	●	○
11.00		12	71	71	118	●	●	●	●	○
11.10		12	71	71	118	○	●	●	●	○
11.20		12	71	71	118	●	●	●	○	○
11.25	NEW	12	71	71	118	●	●	●	○	○
11.30		12	71	71	118	●	●	●	○	○
11.40		12	71	71	118	○	●	●	●	○
11.50		12	71	71	118	●	●	●	●	○
11.60		12	71	71	118	○	●	●	●	○
11.70		12	71	71	118	○	●	●	●	○
11.80		12	71	71	118	●	●	●	○	○
11.90		12	71	71	118	○	○	●	●	○
12.00		12	71	71	118	●	●	●	●	○
12.20		14	77	77	124	○	●	●	○	○
12.50		14	77	77	124	●	●	●	○	○
12.60		14	77	77	124	○	●	●	○	○
12.80		14	77	77	124	○	●	●	○	○
13.00		14	77	77	124	●	●	●	○	○
13.30		14	77	77	124	○	●	●	○	○
13.50		14	77	77	124	●	●	●	○	○
13.80		14	77	77	124	○	●	●	○	○

● stock standard ○ non-standard stock ■ stock exhaustion

- TYPHOON
- C-SD-TA
- LFTA
- SUTA
- HSS-HSS/CO DRILLS
- UH RED
- MEX ORANGE
- HF EVO
- MEF ENDLESS
- ALU
- MDC
- G2
- MDTA
- ULTRA MILLS
- HSS/CO
- CARBIDE BURRS
- PARAMETERS