

NEW

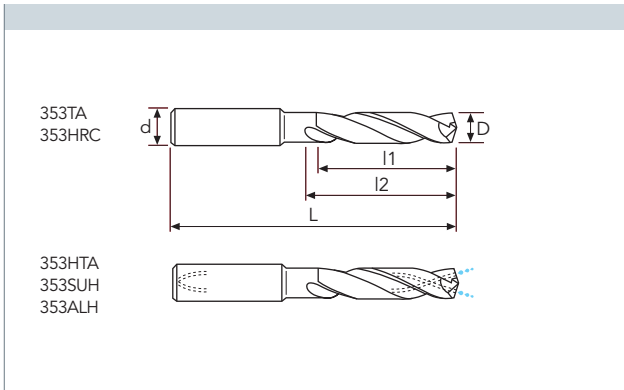
n **Vf**
PAGE
246-247

DIN
6537K

3XD

353TA - 353HTA - 353SUH - 353ALH - 353HRC (m7)

Ø mm	1~3	3.1~6	6.1~10	10.1~18	18.1~20
tol. D µ	+12 / +2	+16 / +4	+21 / +6	+25 / +7	+29 / +8



353TA	353HTA	353SUH	353ALH	353HRC
MG	MG	MG	MG	MG
PV200	PV200	PV300	LAPPED	PV1000

D(m7)	d(h6)	l1	l2	L	Stock	Stock	Stock	Stock	Stock
mm 6.50	8	24	34	79	●	●	●	●	●
6.60	8	24	34	79	●	●	●	○	●
6.70	8	24	34	79	●	●	●	○	●
6.80	8	24	34	79	●	●	●	●	●
6.90	8	24	34	79	●	●	●	○	●
7.00	8	24	34	79	●	●	●	●	●
7.10	8	29	41	79	●	●	●	○	●
7.20	8	29	41	79	●	●	●	○	●
7.30	8	29	41	79	●	●	●	○	●
7.40	8	29	41	79	●	●	●	○	●
7.50	8	29	41	79	●	●	●	●	●
7.60	8	29	41	79	●	●	●	○	●
7.70	8	29	41	79	●	●	●	○	●
7.80	8	29	41	79	●	●	●	●	●
7.90	8	29	41	79	●	●	●	○	●
8.00	8	29	41	79	●	●	●	●	●
8.10	10	35	47	89	●	●	●	○	●
8.20	10	35	47	89	●	●	●	●	●
8.30	10	35	47	89	●	●	●	○	●
8.40	10	35	47	89	●	●	●	○	●
8.50	10	35	47	89	●	●	●	●	●
8.60	10	35	47	89	●	●	●	○	●
8.70	10	35	47	89	●	●	●	○	●
8.80	10	35	47	89	●	●	●	●	●
8.90	10	35	47	89	●	●	●	○	●
9.00	10	35	47	89	●	●	●	●	●
9.10	10	35	47	89	●	●	●	○	●
9.20	10	35	47	89	●	●	●	○	●
9.30	10	35	47	89	●	●	●	○	●
9.40	10	35	47	89	●	●	●	○	●
9.50	10	35	47	89	●	●	●	●	●
9.60	10	35	47	89	●	●	●	○	●
9.70	10	35	47	89	●	●	●	○	●
9.80	10	35	47	89	●	●	●	○	●
9.90	10	35	47	89	●	●	●	○	●
10.00	10	35	47	89	●	●	●	●	●

● stock standard ○ non-standard stock ■ stock exhaustion